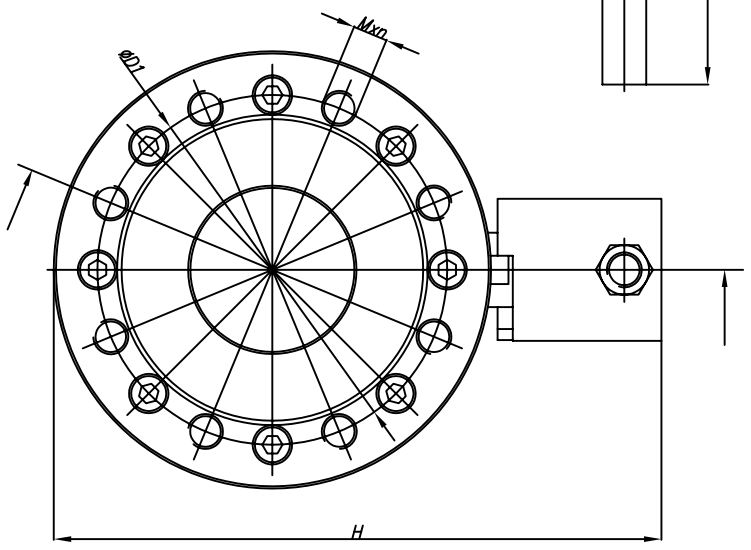
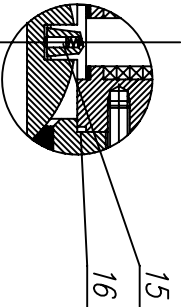


OPTIONS:
 1. ANTISTATIC DEVICE
 2. FIRE SAFE



	Material	(B.S.)
1	CS zinc coated	CS zinc coated
2	CS zinc coated	CS zinc coated
3	spring steel	spring steel
4	431 S 29	431 S 29
5	En. 3 A	En. 3 A
6	100% Graphite	100% Graphite
7	En 19 B	En 19 B
8	PTFE+30%Graphite	PTFE+30%Graphite
9	431 S 29	845 Grade Ti
10	NBR / VITON	NBR / VITON
11	304 S 16	845 Grade Ti
12	PTFE+20%Glass	PTFE+20%Glass
13	Ck 45 (DIN)	845 Grade Ti
14	Ck 45 (DIN)	845 Grade Ti
15	SS	SS
16	100% Graphite	100% Graphite

	$\varnothing D$	$\varnothing d$	S	L	H	M_{kn}	$\varnothing D_1$	Massa kg
DN100	PN 16	220	96	155	500	312	M10x8	180
DN100	PN 25,40	235	96	155	500	328	M12x8	190
								37.0

WORKING PRESSURE $p < 40$ bar
 WORKING TEMPERATURE $-20^{\circ}C$ to $200^{\circ}C$
 DESIGN AND PERFORMANCE STANDARD : DIN 3840

SERVICES TO BE APPROVED : FRESH WATER, SEA WATER, FUEL, STEAM, CORROSIVE MEDIUMS
 LUB OIL, LPG...

SCALE	DESIGNED	DATE	NAME	SIGNATURE
	08.1998		Ing. Viki	
	08.1998		Ing. Viki	
	08.1998		Ing. O. Spivak	
	08.1998		Ing. O. Spivak	

OMV ZAGREB	"WATER" Ball Valves	DWG No.
DN100	PN16,25,40	302 - 15