

POS.	DESIGNATION	CARBON STEEL	STAINLESS STEEL
1	body	A216 Grade WCB	W.Nr. 1.4408
2	bonnet	A216 Grade WCB	W.Nr. 1.4408
3	flange	A105/A216 Grade WCB	W.Nr. 1.4571
4	cone	AISI420	W.Nr. 1.4571
5	stem	AISI420	W.Nr. 1.4571
6	threaded bushing	A576 Grade 1020	W.Nr. 1.4571
7	ball	AISI 316	AISI 316
8	handwheel	Sheet	Sheet
9	washer	CS	SS
10	nut	CS	SS
11	bolt	CS	SS
12	screw	A193B7	SS
13	nut	A194-2H	SS
14	peg screw	SS	SS
15	stud bolt	A193B7	SS
16	nut	A194-2H	SS
17	stuffing box packing	Grafflex	Grafflex
18	seal	Graphite with sheet.	Graphite with sheet.
19	cone	AISI420/A216 Grade WCB	W.Nr. 1.4571
20	spring	AISI301	AISI316
21	bellow	AISI316	AISI316

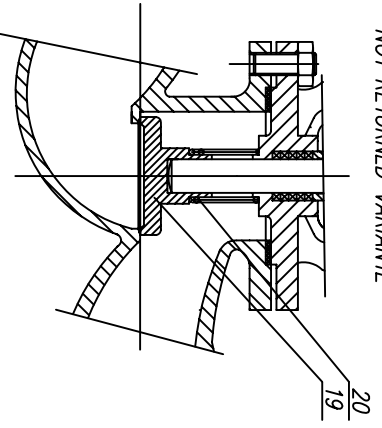
DN	PN	L	H	Dk	Kg
15	40	130	200	120	4
20	40	150	200	120	4,3
25	40	160	200	120	4,9
32	40	180	264	160	11,3
40	40	200	290	160	13
50	40	230	203	200	17,7
65	40	290	345	200	26
80	16	310	360	250	35
	40		360	250	36
100	16	350	405	320	52
	40		405	320	55
125	16	400	490	320	67
	40		490	320	70
150	16	480	565	320	86
	40		565	320	90
200	16	600	710	400	151
	40		710	400	160

WORKING PRESSURE $p < 40$ bar
 WORKING TEMPERATURE max. 425° C

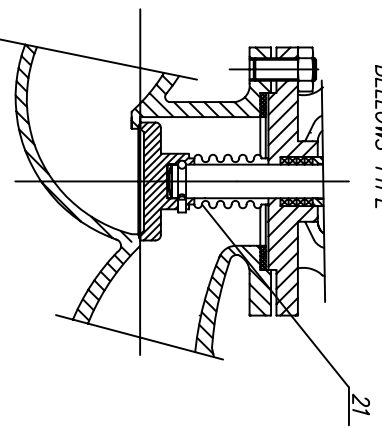
APPROVED SERVICES: STEAM , NON-CORROSIVE AND CORROSIVE LIQUIDS AND GASES
 DESIGN AND PERFORMANCE STANDARD: DIN 3840

DIMENSIONS b,oD,DN,od1,og AND ok(nxod1) ARE IN ACCORDANCE WITH DIN 2501

NOT RETURNED VARIANTE



BELLOWS TYPE



SCALE	
DESIGNED	06. 1998
DRAWN	06. 1998
REVIEWED	09. 1998
APPROVED	09. 1998

OMV-VENTIL Globe Valves DN 15-200 PN 16, 40 DWG. 302 - 24